

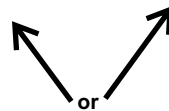
# Controlling a Circuitron SMAIL™ with a -H (Hybrid) IntuiSwitch™

-H (hybrid) IntuiSwitch™ control  
(available in Trapezoidal or DIY style)

**Note:**

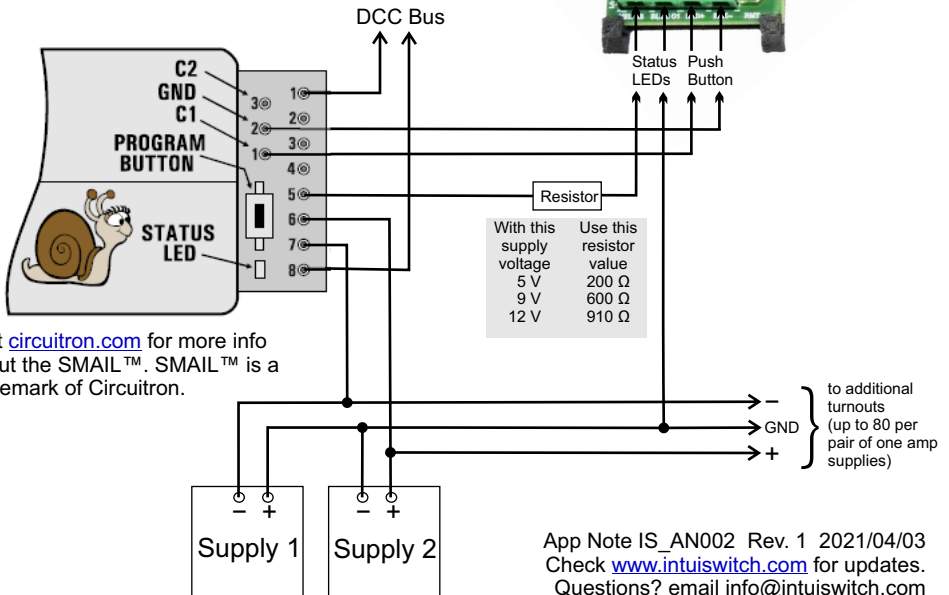
When interfacing with DCC decoders (like that built in to the SMAIL™), always use the -H (Hybrid) version of the IntuiSwitch™ controls.

The hybrid version provides the raw pushbutton needed by the decoder, and accepts status an external signal to drive the status display, whereas the standard version outputs power to drive a stall motor switch machine.



**Configure the SMAIL™ as follows:**

- Cv586 to 1 (Ignore DC polarity on terminals 1 & 8)
- Cv548 to 1 (pushbutton between C1 and GND toggles turnout position)



Visit [circuitron.com](http://circuitron.com) for more info about the SMAIL™. SMAIL™ is a trademark of Circuitron.